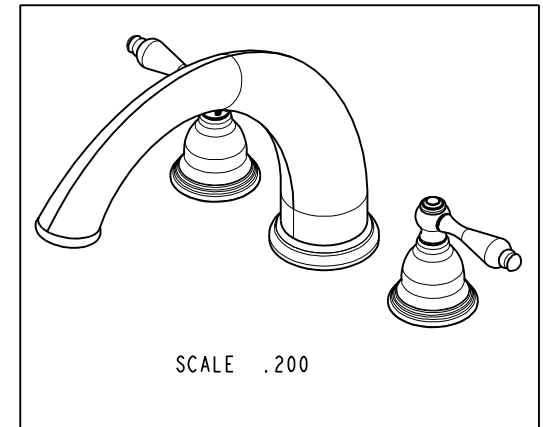
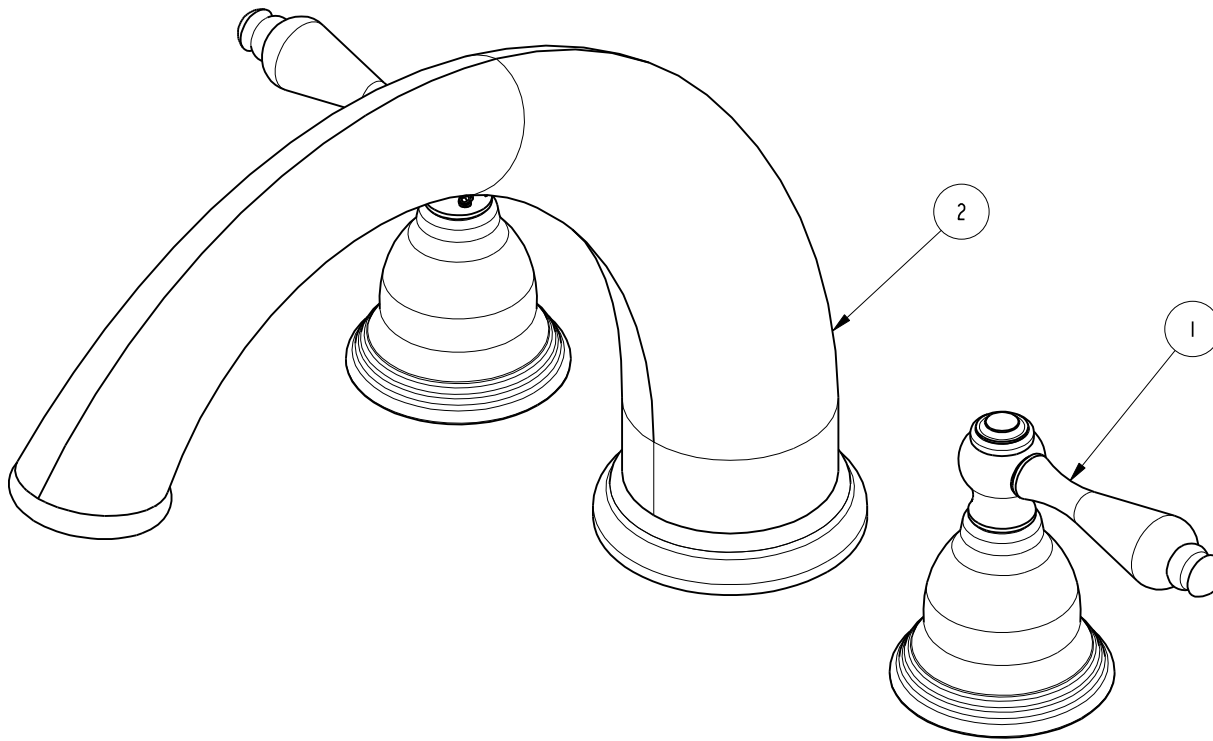


NOTES:

1. TO INSPECT ASSEMBLY, FOLLOW FIRST ARTICLE AND IN PROCESS INSPECTION SHEET.

BILL OF MATERIAL (CURRENT LEVEL)

ITEM	PT/ASSY	DESCRIPTION	TYPE	QTY.
1	3-202	TRIM KIT - STOP VALVE	ASSEMBLY	2
2	3-178	ROMAN TUB SPOUT	ASSEMBLY	1



TESTING	-	-	-
ASSEMBLY	-	-	-
PLATING	-	-	-
POLISHING	-	NEXT ASSY	USED ON
MACHINING	-	APPLICATION	
TOOLING FIXTURE #	REMOVE ALL BURRS AND SHARP EDGES		

UNITS ARE: INCHES [MM]

TOLERANCES ARE:

FRACTIONS DECIMALS ANGLES
 $\pm 1/16"$.X $\pm .1$ [2,5] $\pm \text{°}$
 .XX $\pm .06$ [1,5]

(X.XXX) DENOTES CRITICAL DIMS.
 ALL THREADS ARE CRITICAL

DRAWN	JINSON	02/02/21
CHECKED	R.S.	02/02/21
APPROVED	R.S.	02/02/21

BRASSTECH
 INCORPORATED

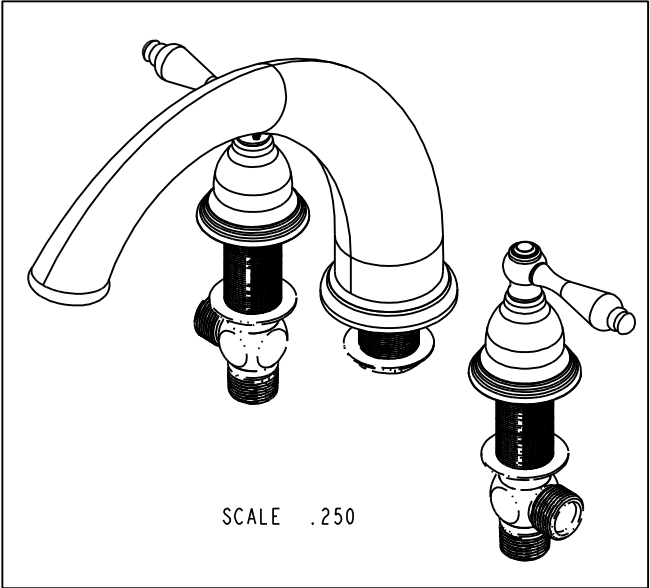
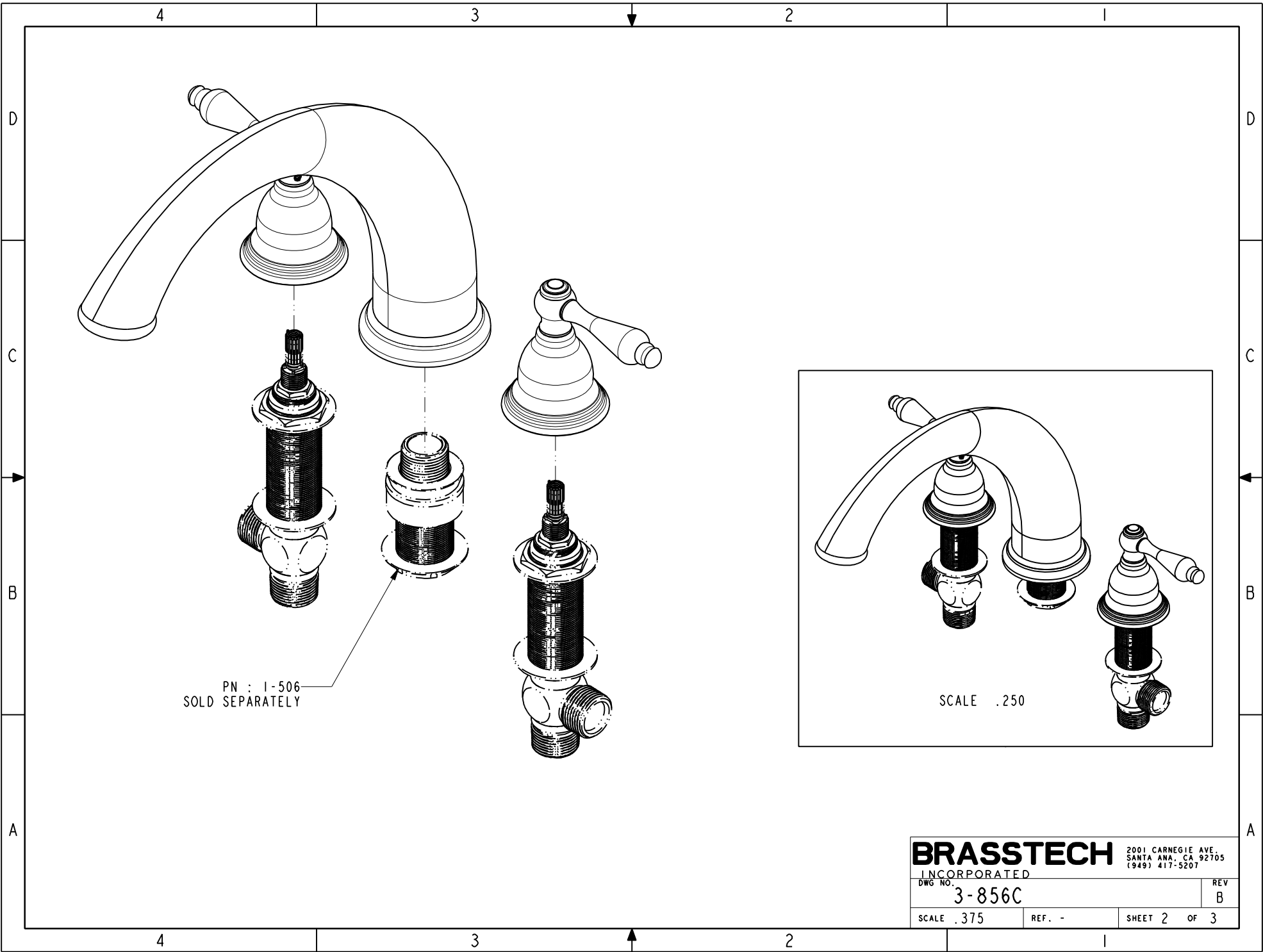
2001 CARNEGIE AVE.
 SANTA ANA, CA 92705
 (949) 417-5207

**TRIM KIT - 2 VALVE ROMAN
 TUB, 3-856C**

DWG NO.	3-856C	REV	B
SCALE	.500	REF.	-
SHEET	1	OF	3

ZONE	REV	DESCRIPTION	DATE	APPROVED
-	B	EN-4300u	02/02/21	R.S.
-	A	EN-2032	01/07/14	-
-	-	RELEASED	-	-

COPYRIGHT 2005 BRASSTECH, INC. THESE DRAWINGS AND THE DESIGNS DEPICTED HEREIN ARE THE PROPRIETARY PROPERTY OF BRASSTECH. ANY USE OR REPRODUCTION IS SUBJECT TO THE EXPRESS APPROVAL OF BRASSTECH. UNAUTHORIZED USE IS STRICTLY PROHIBITED. ALL RIGHTS RESERVED.



PN : 1-506
SOLD SEPARATELY

BRASSTECH		2001 CARNEGIE AVE. SANTA ANA, CA 92705 (949) 417-5207	
INCORPORATED			
DWG NO. 3-856C		REV B	
SCALE .375	REF. -	SHEET 2 OF 3	

